

## NEW, PRECISE, FLEXIBLE AND WELL-PRICED! THE NEW M1 SERIES TRANSMITTERS

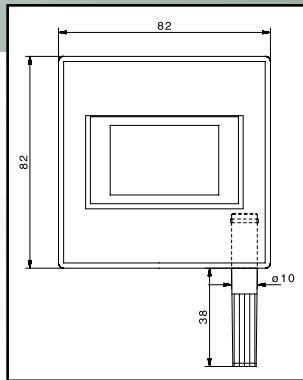
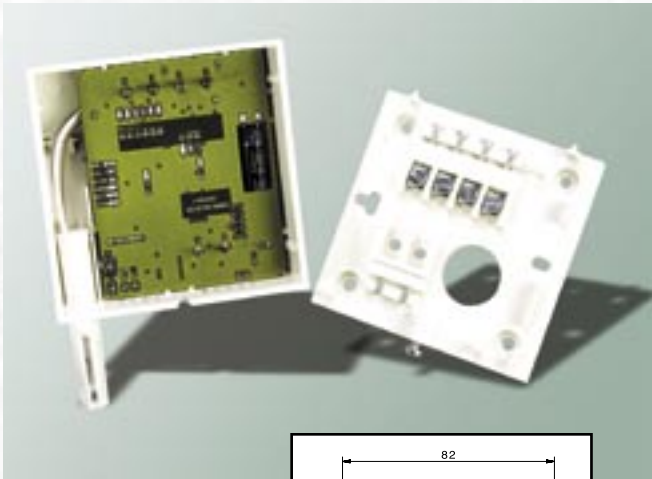
The measurement of humidity and temperature in the HVAC business becomes more challenging with every year that passes. On the one hand, the demands for precision are higher, on the other, price sensitivity is increasing. ROTRONIC continues an uncompromising strategy of high quality, for which we have been known throughout the world for many years. Thanks to new and innovative technologies, even instruments for low cost HVAC applications can be offered. The M1-Series transmitters are available in 3 basic versions: space, duct and wall mounting. Within these basic types, we further differentiate between 2- and 3/4-wire versions. The instruments have been developed in order to meet the market requirements more comprehensively than older models. They replace the FT, HTO45 and FTW65 transmitters.

The new M1-Series from ROTRONIC performs to the highest standards by using the latest digital technology. They can be delivered with industry standard output signals 0...1 V, 0...5 V, 0...10 V, 0...20 mA, and 4...20 mA. The output signals can also, under certain conditions, be scaled with infinite variables. As a result, the measurement resolution will be improved, as it will be possible to scale the measuring range from e.g. 0...10 °C to 4...20 mA. In fact almost any range can be scaled exactly to the requirements of the customer, so that control systems can perform more precisely, and therefore more efficiently. The most popular types are available from stock, and custom configurations are available within a few days from your local distributor.

The new space mount M1S replaces the old models from the FT series. It offers you a unique feature: a retractable probe! Thanks to this feature, the instrument can be easily calibrated on site unlike any other space mount transmitter. Using the HygroPalm handheld instrument, the transmitter can be adjusted without potentiometers. A new design calibration device is also now available and offers significant improvements in comparison with the previous design, including better probe sealing and easier handling.

Optional display for model M1S  
Simultaneous display of humidity  
and temperature.





This new generation of measuring instruments is suited to situations where either the use of an exchangeable probe for safety reasons or regulations is out of question, or where price is an important consideration. The space-mount transmitters may be used where a wall-mount transmitter cannot be installed for aesthetic reasons. Their unobtrusive and enjoyable

best priced instruments on the market with an outstanding accuracy.

colour also fits into demanding environments. Thanks to advanced technology, the output signals can be scaled.

This is especially important in controlled environments such as in office buildings, schools, museums etc. Through the possibility of signal scaling, the minimum and maximum values can be set within a smaller range, and the control hardware can work more efficiently, which, in turn, improves control accuracy and saves energy.

They are amongst the

All transmitters of the M1 series may be plugged onto a mounting plate in the same manner as the well-known F/T series. This simplifies the installation and reduces the service cost.

ROTRONIC instruments especially distinguish themselves by the excellent longterm stability of the humidity sensors. Compared with other products, this means lower cost of ownership through lower service costs and longer lifetime!



Calibration with HygroPalm Handheld

**Interesting for OEM's**

The electronics may of course be integrated into other housings. Ask us for a quotation. Even for projects with comparatively small quantities, it may be worthwhile using ROTRONIC OEM product instead of developing an own product. The cost for test-equipment, calibration and engineering are often underestimated. Even if you don't need huge numbers, ROTRONIC will have a cost effective solution.

**Unique space mount transmitter for calibration with humidity standards**

The M1 space mount is the only transmitter in the market that can be calibrated directly with certified humidity standards thanks to a retractable probe. From a measurement perspective, the retractable probe is

a huge advantage: Because the probe is distant from the electronics, it will not be heated up, which in turn makes the measurement more accurate.

**Key Features:**

- Modern, attractive design based on digital technology
- Retractable probe on M1S for more accurate measurements
- Optional display on M1S model
- Remote diagnosis with a handheld instrument

- Stable, precise and reliable
- Scaleable output signals
- All standard output signals available
- Temperature range -40...60 °C
- Protection rating IP33

